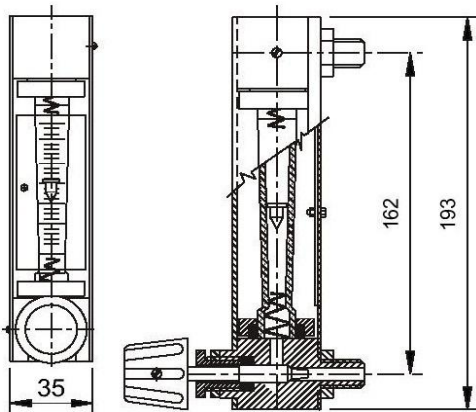


KABIR INSTRUMENTS & TECHNOLOGY

Tiny Rotameter



PERFORMANCE
 Accuracy : ± 3% Full flow
 Rangeability : 10:1
 Scale length : 75mm Approx.
 Max. Temperature : Up to 120°C depending upon gland packing material
 Max. Pressure : 100 psig. (High pressure on request)
 Connection : 1/4" BSP (M), other on request
 Direction of conn. : Back to Back (Rear) Bottom to Top (Vertical)
 Optional Connections : Screwed, Hose, Compression fitting

MATERIALS
 Measuring tube : Borosilicate Glass
 Float : SS 316, Hard Rubber, Aluminium, Glass, PTFE
 End fittings : AISI SS 316
 Packing / Gaskets : Neoprene, Silicon, Viton, PTFE
 Cover : Transparent Acrylic / Polycarbonate
 Additional Accessories : Differential Pressure Regulator, High and Low Flow Alarms

PERFORMANCE
 Accuracy : ± 5% Full flow
 Rangeability : 10:1
 Scale length : 65mm Approx.
 Max. Temp. : Up to 80°C depending upon gland packing material
 Max. Pressure : 100 psig. (High pressure on request)
 Connection : 1/4" BSP (M) other on request
 Direction of conn. : Back to back (Rear)
 Connections : Threaded, Hose

MATERIALS
 Measuring tube : Borosilicate Glass
 Float : SS 316, PTFE, Hard Rubber, Aluminium, Glass
 End fittings : AISI SS 316
 Packing / Gaskets : Neoprene, Silicon, Viton, PTFE only for MG 1Z-4Z
 Cover : Transparent Acrylic



Rate of flow of Water at 20°C with SS 316 Float (LPH)	Rate of flow of Air at ambient Temp., 760 Torr Pressure								
	USGPM	316SS Float (NLPH)	SCFM	PTFE Float (NLPH)	SCFM	Hard Rubber Float (NLPH)	SCFM	Glass Float (NLPH)	SCFM
.....	1-10	0.001-0.01
.....	2.5-25	0.0016-0.016
.....	3-30**	0.0018-0.018
.....	4-4R	0.003-0.03
0.6-6	0.003-0.03	26-260	0.016-0.16	9-90	0.006-0.06	6-60	0.0038-0.038	13.5-135	0.0085-0.085
1.0-10	0.004-0.04	36-360	0.023-0.23	16-160	0.010-0.10	10-100	0.006-0.06	19-190	0.012-0.12
1.6-16	0.007-0.07	55-550	0.035-0.35	25-250	0.016-0.16	19-190	0.012-0.12
2.5-25	0.01-0.10	80-800	0.050-0.50	40-400	0.025-0.25	26-260	0.016-0.16
0.6-6	0.003-0.03	26-260	0.016-0.16	9-90	0.006-0.06	6-60	0.0038-0.038	13.5-135	0.0085-0.085
1.0-10	0.004-0.04	36-360	0.023-0.23	16-160	0.010-0.10	10-100	0.006-0.06	19-190	0.012-0.12
1.6-16	0.007-0.07	55-550	0.035-0.35	25-250	0.016-0.16	19-190	0.012-0.12
2.5-25	0.01-0.10	80-800	0.050-0.50	40-400	0.025-0.25	26-260	0.016-0.16
4-40	0.018-0.18	110-1100	0.070-0.70	65-650	0.041-0.41	50-500*	0.032-0.32
6-60	0.026-0.26	185-1850	0.115-1.15	100-1000	0.063-0.63	80-800*	0.050-0.50
10-100	0.044-0.44	300-3000	0.190-1.90	170-1700	0.107-1.07	130-1300*	0.082-0.82
16-160	0.07-0.70	500-5000	0.310-3.10	360-3600	0.225-2.25	185-1850*	0.115-1.15

Suitable for measurement of low flow rate of liquid / gases. The standard mounting is 1/4" BSP rear and several arrangements of flanged or hose nipple connection can be offered on request.

Technical Specification:

Suitable for purging or low flowrate measuring. The standard mounting is 1/4"

BSP rear, although several arrangement of flanged or hose pipe connections are offered on request.